

Atom Transcapsule® Model V-808

Transport Incubator



A stable nursing environment can be maintained in a variety of transport situations.



V-808

Transcapsule®

A stable nursing environment can be maintained even when the ambient temperature is 0°C. Three different kinds of power sources are available to cope with a road ambulance. With the SpO₂ feature, the skin temperature monitor and the incorporated oxygen monitor, the V-808 supports the emergency medical care of neonates with its complete functions and reliable safety.

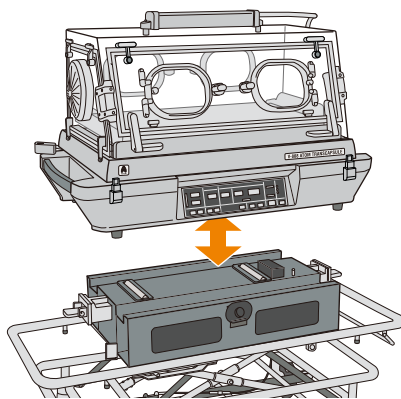
The head-end admittance panel and the front and rear snap-open access ports

In addition to the front admittance panel, the head-end admittance panel is also provided to withdraw the infant for speedy intubation and other procedures. The front and rear snap-open access ports and the head-end iris port are functionally useful in neonatal care and treatment.



The separable main unit for increased mobility

The main unit, which contains a sub-battery ensuring more than fifteen minutes' operation, is separable from the main battery. When separated, the main unit weighing approx. 34kg, is conveniently used to transport the infant easily up and down the stairs or through a small space. The stand, equipped with a gas spring, is vertically and smoothly adjustable and can be fixed at any height within the range of 32-61cm.



The different kinds of power sources to cope with various transport settings

Three different kinds of power sources are available depending on different transport settings: the AC power source, the internal battery, and the external DC power source (DC12V/DC24V). Conforming to EMC standards and provided with measures against electromagnetic interference, the V-808 can cope with various transport settings.

The double-wall hood for a stable nursing environment

The double-wall hood minimizes the infant's radiant heat loss. In addition, the powerful capability of thermal maintenance and the precise temperature control system maintain the incubator air temperature at 34°C even when the ambient temperature is 0°C.

The built-in pulse oximeter **Masimo SET®**

The built-in pulse oximeter monitors SpO₂ accurately by eliminating noise generated by the infant's movement. Stable monitoring is ensured even when signals are weak due to poor circulation.

The temperature monitor and the oxygen monitor provided as standard equipment

The infant's skin temperature and the oxygen concentration in the incubator are digitally displayed to help optimal skin temperature control and very precise oxygen administration.



The light and clear 1500-lux lamp

The fluorescent lamp, which provides enough clear light for observation and treatment even at night or in the dark, enables the medical staff to observe the infant's skin color as if in natural light.



The low-resilience mattress

The low-resilience mattress, which disperses the infant's body pressure effectively, reduces vibration to the infant. Additionally, the operating noise of the incubator has been reduced to decrease acoustic stress to the infant.

The electrostatic filter to maintain a clean environment

The electrostatic filter, which is superior in holding back solid substances, collects dust and other particles far more efficiently than any conventional air filter. It maintains a clean environment by purifying the air introduced into the incubator.